



# clinic air

*a new concept in dental compressors*



MADE IN ITALY



Innovative compressors for:

- dentists
- dental technicians
- scientific laboratories
- podiatrists
- veterinarians
- dental clinics
- clean rooms

CE EAC

**AXXER®**

**Oil  
FREE**





## ▶ ABOUT US

### At the center of excellence

Gentilin Air Compressors was founded 30 years ago in Trissino (Vicenza - Italy), a region particularly known in Europe and throughout the world for its superior standards in mechatronics. In just a few years, the company became the region's benchmark of excellence for the manufacturing, development and distribution of compressed air tools. The company is proud to distinguish itself for the quality of its production, which is the outcome of intense and ongoing technological breakthroughs carried out by its very own R&D resources. Experience, specialization and a pinch of Italian ingenuity are the ingredients that have taken Gentilin Air Compressors products well beyond the top of every product category – they have made these products one of a kind! Having secured over the years a series of international patents, Gentilin-branded products possess features that are mechanically unique, and that decisively puts them in a class of its own for efficiency, longevity and low-noise operation.

### Service is not optional

From concept design to product delivery. From Italy to the world. The mission of Gentilin Air Compressors does not stop with its commitment to innovation and the resulting final product. A fundamental aspect of its philosophy is to assist customers and end users in all of their needs. For this reason the company boasts a robust team of technical, logistical and product support specialists capable of adapting its products and services to the specific requirements of each client. At Gentilin Air Compressors a crucial approach to after-sales service is that the customer will never need adapt to the supplier. It is in this spirit that the company has become established in Europe, United States, Latin America and Asia, and has created a network of over 100 distributor with an extensive domestic and international reach.



## ALONGSIDE YOU

### INNOVATION

Our engineers use the latest technologies to design, develop and market the unique products that make GENTILIN COMPRESSORS a success. The R&D department has always been a focal point in GENTILIN COMPRESSORS, where cutting-edge ideas are initially conceptualized and later brought to pass.

### EXPERIENCE

GENTILIN COMPRESSORS has decades of experience in the production of oil-free air compressors. The products offered to its clients have been expansively tested and used for thousands of the most demanding applications in various sectors throughout the world.

### ATTENTION TO DETAILS

All process, from production to worldwide distribution of the products, undergo a systematic quality control process to guarantee the utmost performance. Attention to details is what has made GENTILIN COMPRESSORS products unique, reliable and internationally recognized.



## OUR COMPRESSORS ARE UNIQUE



## OUR 6 SELLING POINTS



62-64 Dba:  
EXCEPTIONAL LOW NOISE



**3 YEARS** WARRANTY



**HOURS COUNTERS**



CONTAMINATION-FREE AIR WITH  
FILTERS UP TO **0,01** micron



**8/10** BAR OPERATION



**100%** DUTY CYCLE  
CONTINUOUS OPERATION



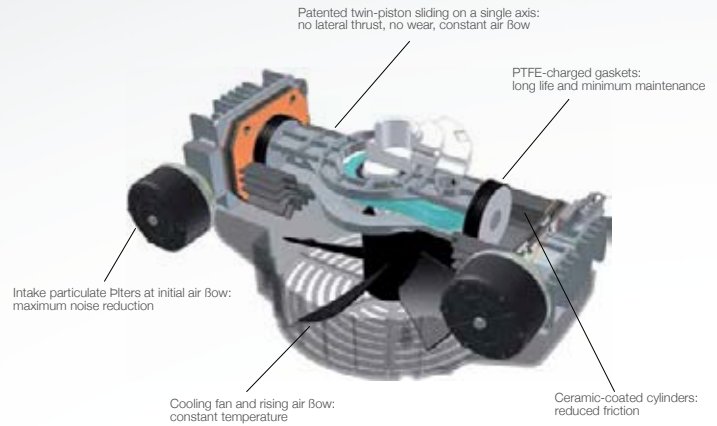
# AXXER<sup>®</sup>, a more natural, silent and high efficiency movement.

**AXXER<sup>®</sup>** (AXial Elements Rotation) is an innovative system of counterposed pistons that revolutionizes traditional mechanics: a two-head single piston concept. **AXXER<sup>®</sup>** technology is the only piston mechanism in the world conceptually designed and produced for oil-free operation, that is, without lubricating oil. As such, it affords CLINIC AIR products to exhibit unique features:

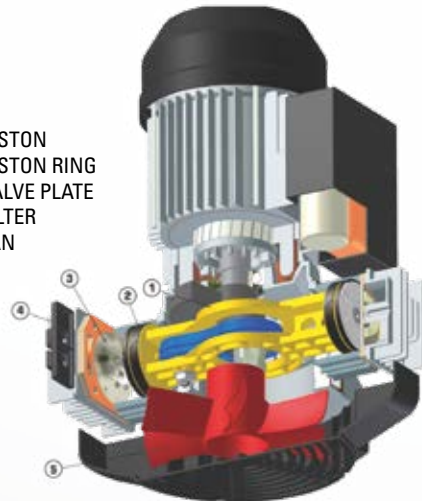
- Low temperature operation
- Greatly reduced maintenance
- An additional 20% efficiency
- A 10% energy consumption use
- Lower noise levels
- Perfect ignition timing, as well as powerful and constant air flow
- 5.000 hours of continuous operation

The **AXXER<sup>®</sup>** technology single piston with two heads slides axially inside aluminium cylinders that are coated with OXYD ceramic, thereby drastically reducing lateral thrusts and subsequent wear-and-tear. There is no other such solution that guarantees low stress load for the motor, strong and constant air flow as pressure increases, and low-voltage starts.

These advantages translate into an enduring compressor and a greatly reduced need for maintenance. The oil-free CLINIC AIR compressors with **AXXER<sup>®</sup>** technology have no equals in the market: efficient, reliable, low-noise, constant air flow, and suitable for intensive use.



1. PISTON
2. PISTON RING
3. VALVE PLATE
4. FILTER
5. FAN



THE PATENT



*The technology employed in CLINIC AIR compressors carries over to other components of our compressors. The air intake filters are certainly used to remove particulate matter and various other air pollutants, as intended. In addition, they lower the noise level associated with the intake phase of the air flow.*



*As well, the pumping mechanism is completely sealed or "airtight." This further contributes to reduce noise without having to resort to sound proof enclosures.*



## CLINIC AIR DRYING SYSTEMS

A fundamental requirement of dentistry professionals is to work with air flow that is both dry and clean. Humid air is known to damage expensive dental equipment. However, it can also serve as a dangerous carrier of bacteria and contaminants that clearly jeopardize the health of patients. For this reason Gentilin has been especially meticulous in controlling the quality of the drying systems of the CLINIC AIR product line. Therefore, Clinic Air range is equipped with more than the standard absorption dryer. It also has a membrane dryer capable of producing medical-quality air.

### THE ADVANTAGES OF THE MEMBRANE DRYER

#### Air drying (dew point $-20^{\circ}\text{C}$ )

- Totally dry and clean air in the tank

#### Sterile filter (0,01 micron)

- Medical-quality, bacteria-free air

#### 3-stage filtration

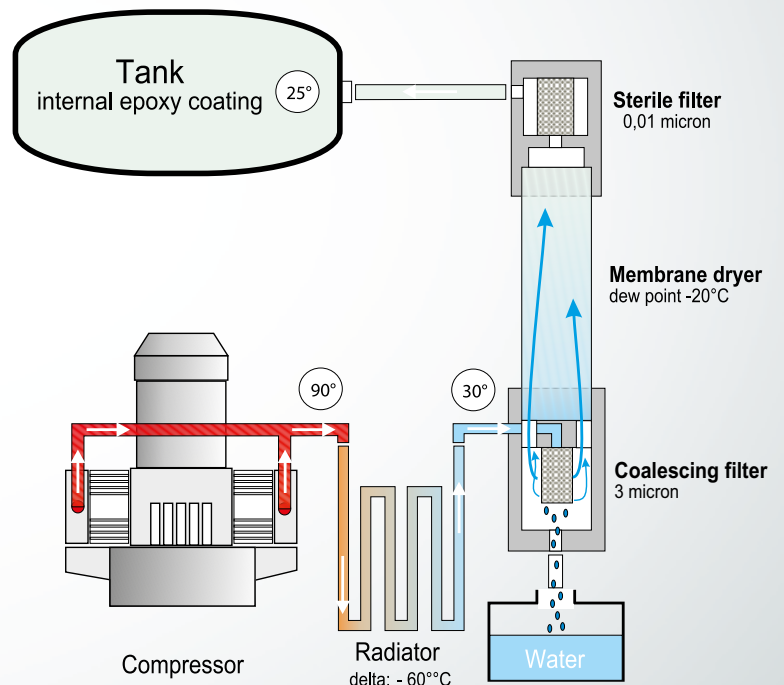
- The most advanced air purification system

#### 100% duty cycle

- No down time, continuous operation

#### Self-regenerating drying membrane

- Maintenance-free  
(only pre-filtering device to be replaced periodically)



HIGHLY RESISTANT  
TO THE STRESS OF  
THE PRESSURE CYCLES



HIGHLY RESISTANT TO  
VIBRATIONS



STERILISATION POSSIBLE  
IN AUTOCLAVE AT  
 $120^{\circ}\text{C}$  (20-30 MIN.)



Filtration					Microns
0.001	0.01	0.1	1	10	100
	tobacco smoke				
			particles		
	coal dust				
	combustion gas				
				pollens	
		pigments			
		insecticides			
			aerosol		
viruses					
		bacteria			
		spores			

Filtration parameters of various contaminants

## Why sterile air?



Dental offices and scientific laboratories increasingly require that compressed air is not only dry and generally clean – but that it would also be sterile. That is, air flow free of contaminants such as bacteria, viruses, spores, airborne pollutants and dust particles. Models H and HS provide this demanding degree of air quality thanks to an advanced membrane dryer as well as 3 micron filters for H models and 3+0.01 microns for HS models.

CLINIC AIR's sterile filter consists of HEPA-certified micro fibers of borosilicate glass, and it ensures the removal of 99.9999% of liquid or gaseous contaminants.



## **COD. 84053**

### **Absorption dryer with drying silica gel**

This is the standard dryer in the CLINIC AIR product line. It is compact and reliable, and it affords the production of dry and clean air, as well as the removal of condensation.

- » Dew point: -20°C
- » Standard filtration: 20 micron
- » Drying gel automatic regeneration during compressor's shutdown
- » 50% Duty Cycle

The absorption dryer is reliable, compact and low-cost. It is based on the principle of alternating work between the compressor and the dryer. An important advantage is in the compressor's ability to maintain a steady performance during the time in which the dryer is operative. It does not require additional maintenance but the replacement of the drying gel either every two years, or after 2000 hours of operation.

### **Self-regenerating dryer with sterile filter**

This is the top of the line of CLINIC AIR's dryers, and it is furnished as standard equipment on Models H and HS. This dryer provides more than merely dry and generically clean air. Given its unique 3-stage filtration system, it also provides medical-quality air with the removal of bacteria, spores, viruses, air pollutants, dust particles and other contaminants.

The heart of the self-regenerating membrane drying process is a sophisticated 3-stage air filtering system:

- » **1st level:** coalescing filtration, 3 micron for an advanced separation of air and water
- » **2nd level:** self-regenerating membrane drying process with continuous duty cycle (dew point - 20° C)
- » **3d level (HS models only):** sterile filtration 0,01 micron for medical-quality air
- » 100% Duty Cycle

CLINIC AIR's sterile filter consists of HEPA-certified micro fibers of borosilicate glass, and it ensures the removal of virtually every contaminant.

Given the self-regenerating nature of the membrane dryer, it is unnecessary to replace or service.



#### **1/2 HP Compressors**

**COD. 84045**  
**COD. 84403**  
**COD. 84402**

#### **4 HP Compressors**

**COD. 84045/1**  
**COD. 84405**  
**COD. 84404**

Single Cylinder

Pick-Up 60  
70% DUTY CYCLE



THE IDEAL  
BACK-UP  
UNIT FOR ANY  
DENTIST

Units



1 Chair

Sound Level

72 dB STANDARD

Tank

5 LT  
1,32 GAL

Air delivered

60 L/MN a 5 BAR  
2,20 CFM

Single Cylinder

Clinic 1.24  
70% DUTY CYCLE



COMFORT  
CABINET

Units



1 Chair

Sound Level

62 dB STANDARD  
50 dB COMFORT CABINET

Tank

24 LT  
6,34 GAL

Air delivered

72 L/MN a 5 BAR  
2,60 CFM

Single Cylinder

Clinic Dry 1.24  
50% DUTY CYCLE



COMFORT  
CABINET

DRYER



ABSORPTION  
20 micron filter

Units



1 Chair

Sound Level

62 dB STANDARD  
50 dB COMFORT CABINET

Tank

24 LT  
6,34 GAL

Air delivered

72 L/MN a 5 BAR  
2,60 CFM



Twin Cylinder

Clinic 3.24

100% DUTY CYCLE



COMFORT CABINET

Units



2+1 Chair

Sound Level

64 dB STANDARD  
52 dB COMFORT CABINET

Tank

24 LT  
6,34 GAL

Air delivered

150 L/MN at 5 BAR  
5,30 CFM

Twin Cylinder

Clinic Dry 3.24

50% DUTY CYCLE



COMFORT CABINET



ABSORPTION  
20 micron filter

Units



2+1 Chairs

Sound Level

64 dB STANDARD  
52 dB COMFORT CABINET

Tank

24 LT  
6,34 GAL

Air delivered

150 L/MN at 5 BAR  
5,30 CFM

Twin Cylinder

Clinic Dry 3.24 H/HS

100% DUTY CYCLE



COMFORT CABINET



MEMBRANE FILTERS:  
0,01 micron

Units



2+1 Chairs

Sound Level

64 dB STANDARD  
52 dB COMFORT CABINET

Tank

24 LT  
6,34 GAL

Air delivered

140 L/MN at 5 BAR  
5 CFM

Twin Cylinder

Clinic 3.50

100% DUTY CYCLE



COMFORT CABINET

Units



2+1 Chairs

Sound Level

64 dB STANDARD  
52 dB COMFORT CABINET

Tank

50 LT  
13,21 GAL

Air delivered

150 L/MN at 5 BAR  
5,30 CFM

Twin Cylinder

Clinic Dry 3.50

50% DUTY CYCLE



COMFORT CABINET

DRYER



ABSORPTION  
20 micron filter

Units



2+1 Chairs

Sound Level

64 dB STANDARD  
52 dB COMFORT CABINET

Tank

50 LT  
13,21 GAL

Air delivered

150 L/MN a 5 BAR  
5,30 CFM

Twin Cylinder

Clinic Dry 3.50 H/HS

100% DUTY CYCLE



COMFORT CABINET

DRYER



MEMBRANE FILTERS:

0,01 micron



Units



2+1 Chairs

Sound Level

64 dB STANDARD  
52 dB COMFORT CABINET

Tank

50 LT  
13,21 GAL

Air delivered

140 L/MN a 5 BAR  
5,00 CFM

Four Cylinder

Clinic 6.90

100% DUTY CYCLE



COMFORT CABINET

Units



5/6 Chairs

Sound Level

74 dB STANDARD  
62 dB COMFORT CABINET

Tank

90 LT  
23,78 GAL

Air delivered

300 L/MN at 5 BAR  
10,60 CFM

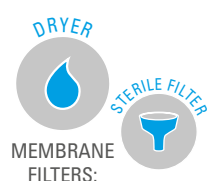
Four Cylinder

Clinic Dry 6.90 H/HS

100% DUTY CYCLE



COMFORT CABINET



MEMBRANE FILTERS:  
0,01 micron

Units



5/6 Chairs

Sound Level

74 dB STANDARD  
62 dB COMFORT CABINET

Tank

90 LT  
23,78 GAL

Air delivered

280 L/MN at 5 BAR  
10,00 CFM

**COMFORT CABINETS 24/50**


**- 12 dB**



Model	Code	Size	Noise reduction	Voltage	Outside	Interior	Suitable for	Duty Cycle
Comfort 24	MOB/CMF24	92x60x62 cm	-12 dB	230V/50 Hz	Metal	polyurethane phono-absorbent	Clinic 1 - Clinic 3 24 LtTank	100%
Comfort 50	MOB/CMF50	98x75x65 cm	-12 dB	400V/50 Hz	Metal	polyurethane phono-absorbent	Clinic 3 50 LtTank	100%

**COMFORT CABINETS 90**


**- 12 dB**



Model	Code	Size	Noise reduction	Voltage	Outside	Interior	Suitable for	Duty Cycle
Comfort 90	MOB/CMF90/1	120x73x87 cm	-12 dB	230V/50 Hz	Metal	polyurethane phono-absorbent	Clinic 6	100%
Comfort 90	MOB/CMF90/2	120x73x87 cm	-12 dB	400V/50 Hz	Metal	polyurethane phono-absorbent	Clinic 6	100%

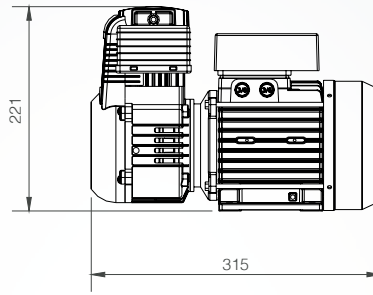
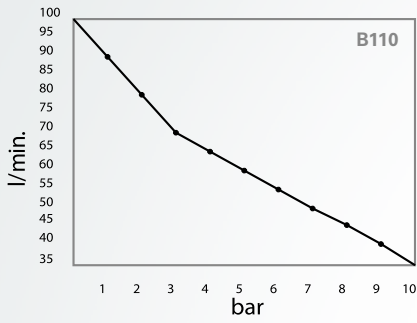
# Technical Specifications

Model	Soundproof device	Power		Voltage	Chairs	RPM	Tank		Cylinders	Max pressure	Duty Cycle	Intake air (0 bar)	Air delivered (5 bar)	Noise	Filter (micron)	Sizes	Net weight	Packaging Sizes	Packaging Weight
		Kw	Hp				Lt	Gal											
Pick-Up 60	Standard	0,50	0,75	230/50	1	2800	5	1,32	1	8	116	110	60	72	/	39x42x19	11		
Clinic 1.24	Standard	0,75	1,0	230/50	1	1400	24	6,34	1	8	116	120	72	62	20	71x43x44	30	95x66x55	33
	Comfort	0,75	1,0	230/50	1	1400	24	6,34	1	8	116	120	72	50	20	96x61x62	30	95x66x55	33
Clinic Dry 1.24	Standard	0,75	1,0	230/50	1	1400	24	6,34	1	8	116	120	72	62	20	71x43x58	35	95x66x55	38
	Comfort	0,75	1,0	230/50	1	1400	24	6,34	1	8	116	120	72	50	20	96x61x62	35	95x66x55	38
Clinic 3.24	Standard	1,5	2,0	230/50	2+1	1400	24	6,34	2	10	145	240	150	64	20	77x41x42	37	95x66x55	40
	Comfort	1,5	2,0	230/50	2+1	1400	24	6,34	2	10	145	240	150	52	20	96x61x62	77	95x66x55	
Clinic Dry 3.24	Standard	1,5	2,0	230/50	2+1	1400	24	6,34	2	10	145	240	150	64	20	77x41x51	42	95x66x55	45
	Comfort	1,5	2,0	230/50	2+1	1400	24	6,34	2	10	145	240	150	52	20	96x61x62	50	95x66x55	
Clinic Dry 3.24 H	Standard	1,5	2,0	230/50	2+1	1400	24	6,34	2	10	145	240	140	64	3	77x44x47	42	95x66x55	45
	Comfort	1,5	2,0	230/50	2+1	1400	24	6,34	2	10	145	240	140	52	3	96x61x62	81	95x66x55	
Clinic Dry 3.24 H/HS	Standard	1,5	2,0	230/50	2+1	1400	24	6,34	2	10	145	240	140	64	0,01	77x44x47	42	95x66x55	45
	Comfort	1,5	2,0	230/50	2+1	1400	24	6,34	2	10	145	240	140	52	0,01	96x61x62	82	95x66x55	
Clinic 3.50	Standard	1,5	2,0	230/50	2+1	1400	50	13,21	2	10	145	240	150	64	20	91x46x61	44	110x66x55	47
	Comfort	1,5	2,0	230/50	2+1	1400	50	13,21	2	10	145	240	150	52	20	110x79x68	99	110x66x55	
Clinic Dry 3.50	Standard	1,5	2,0	230/50	2+1	1400	50	13,21	2	10	145	240	150	64	20	91x46x61	49	110x66x55	52
	Comfort	1,5	2,0	230/50	2+1	1400	50	13,21	2	10	145	240	150	52	20	110x79x68	104	110x66x55	
Clinic Dry 3.50 H	Standard	1,5	2,0	230/50	2+1	1400	50	13,21	2	10	145	240	140	64	3	91x49x61	49	110x66x55	52
	Comfort	1,5	2,0	230/50	2+1	1400	50	13,21	2	10	145	240	140	52	3	110x79x68	103	110x66x55	
Clinic Dry 3.50 H/HS	Standard	1,5	2,0	230/50	2+1	1400	50	13,21	2	10	145	240	140	64	0,01	91x49x61	49	110x66x55	52
	Silent	1,5	2,0	230/50	2+1	1400	50	13,21	2	10	145	240	140	54	0,01	94x51x61	57	110x66x55	60
Clinic 6.90	Standard	3,1	4,0	230/50 - 400/50	5/6	1400	90	23,78	4	10	145	480	300	74	20	67x103x46	82	87x110x60	97
	Comfort	3,1	4,0	230/50 - 400/50	5/6	1400	90	23,78	4	10	145	480	300	62	20	120x73x87	82	120x73x87	
Clinic Dry 6.90 H	Standard	3,1	4,0	230/50 - 400/50	5/6	1400	90	23,78	4	10	145	480	280	74	3	75x103x48	85	87x110x60	100
	Comfort	3,1	4,0	230/50 - 400/50	5/6	1400	90	23,78	4	10	145	480	280	62	3	120x73x87	85	120x73x87	
Clinic Dry 6.90 H/HS	Standard	3,1	4,0	230/50 - 400/50	5/6	1400	90	23,78	4	10	145	480	280	74	0,01	75x103x48	90	87x110x60	100
	Comfort	3,1	4,0	230/50 - 400/50	5/6	1400	90	23,78	4	10	145	480	280	62	0,01	120x73x87	90	120x73x87	

Technical specs subject to change without notice



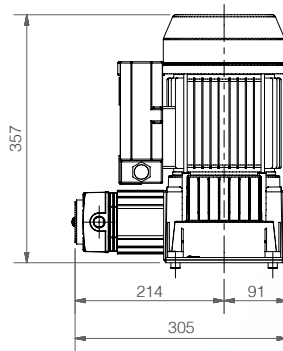
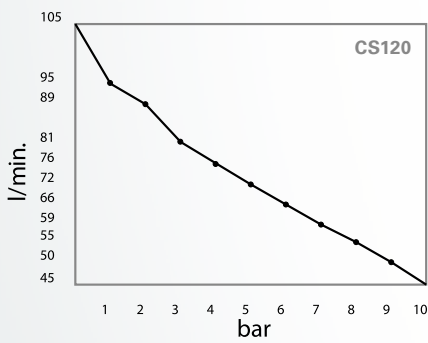
## B110



Model	Power	Voltage	RPM	Cylinders	Class	Max pressure	Intake air (0 bar)	Air delivered (5 bar)	Noise	Net weight	Dimensions
	Kw	V/Hz/Va	rpm	n°		Bar	L/min	L/min	dB (A)	Kg	(LxHxW)mm
B110	0,75	230/50	2800	1	S3-70% ON	8	110	60	72	6,5	315x221x135

Other voltages available on request: 110v/60Hz - 110v/50Hz - 230v/60Hz

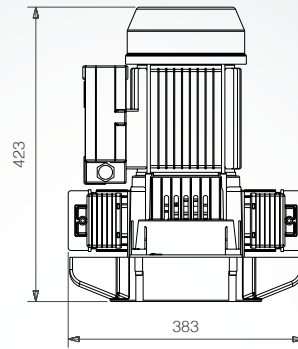
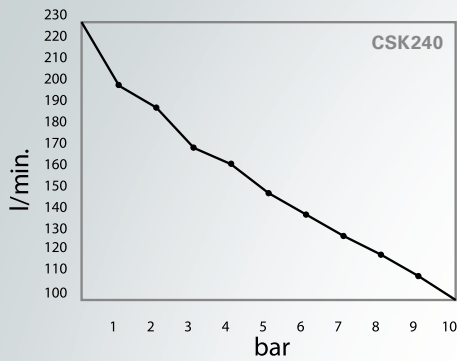
## CS120



Model	Power	Voltage	RPM	Cylinders	Class	Max pressure	Intake air (0 bar)	Air delivered (5 bar)	Noise	Net weight	Dimensions
	Kw	V/Hz/Va	rpm	n°		Bar	L/min	L/min	dB (A)	Kg	(LxHxW)mm
CS120	0,75	230/50	1400	1	S3-70% ON	8	120	72	62	15	305x357x228



## CSK240



Model	Power	Voltage	RPM	Cylinders	Class	Max pressure	Intake air (0 bar)	Air delivered (5 bar)	Noise	Net weight	Dimensions
	Kw	V/Hz/Va	rpm	n°		Bar	L/min	L/min	dB (A)	Kg	(LxHxW)mm
CSK240	1,5	230/50	1400	2	S1 - 100% ON	10	240	150	64	22	383x423x228

Other voltages available on request: 110v/60Hz - 110v/50Hz - 230v/60Hz

COD. 83303

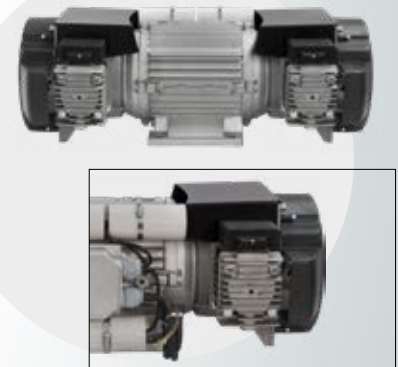
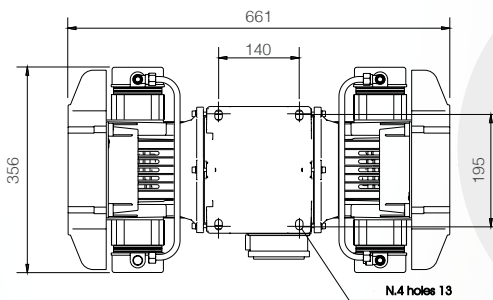
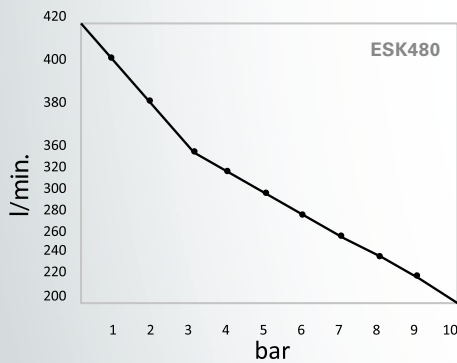


Cylinder heads air connection hose kit (vertical mount)

COD. 83304

Cylinder heads air connection hose kit (horizontal mount)

## ESK480



Model	Power	Voltage	RPM	Cylinders	Class	Max pressure	Intake air (0 bar)	Air delivered (5 bar)	Noise	Net weight	Dimensions
	Kw	V/Hz/Va	rpm	n°		Bar	L/min	L/min	dB (A)	Kg	(LxHxW)mm
ESK480	3,1	230/50	1400	4	S1 - 100% ON	10	480	300	72	42	661x356x233
ESK480	3,1	380/50	1400	4	S1 - 100% ON	10	480	300	72	42	661x356x233



COD. 83305

Cylinder heads air connection hose kit



Coalescing filter

84039



Particles

3  $\mu\text{m}$

For H/HS models Clinic Dry

Sterile filter

84023



Particles

0,01  $\mu\text{m}$

For HS models Clinic Dry

Automatic separator filter

83126

Automatic air filter-regulator

83128

External command kit  
for comfort cabinets

84209



Particles

20  $\mu\text{m}$

Efficiency

95%

Automatic Draining

Replacement cartridges  
available (9251709)



Particles

20  $\mu\text{m}$

Efficiency

95%

Automatic Draining

Replacement cartridges  
available (9251709)



Silica Gel

84053/1

Tank autodraining kit

84208

Paper air filter

83045/1



For Clinic Dry models





CONDOR MDR2

226468



**230/110** Volt  
**50/60** Hz  
**F4-1/4**

CONDOR MDR3

270003



**230** Volt  
**50/60** Hz  
**F4-3/8**

CONDOR MDR3

272014



**400** Volt  
**50/60** Hz  
**F4-1/4**

Non-return valve

83026/1



**1= 3/8** M  
**2= 3/8** M  
**3= 6** mm

Non-return valve

83026/2



**1= 3/8** M  
**2= 3/8** M  
**3= 6** mm

Safety valve

82098

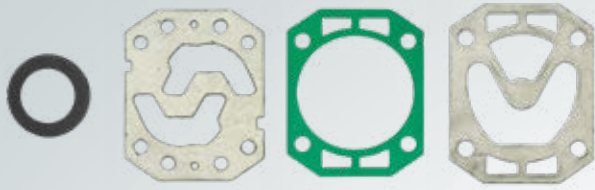


**1/4** M  
**11** bar



## CLINIC 1 (CS120)

84301



- 1x Cylinder gaskets (23)
- 1x Cylinder head gaskets (19)
- 1x PTFE piston rings (68)
- 1x Valve plate gaskets (52)
- 1x O-ring (126)

## PICK-UP

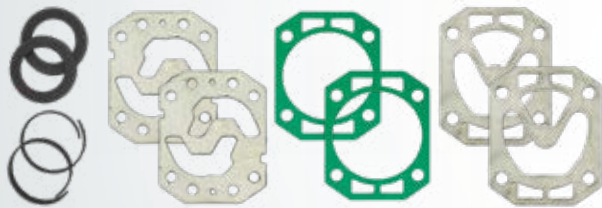
87200



- 1x Cylinder gasket (217)
- 1x Head gasket (218)
- 1x PTFE piston ring (327)

## CLINIC 3 (CS240)

84300

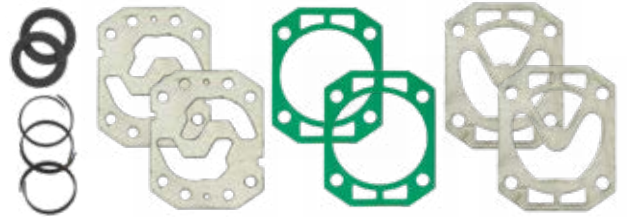


- 2x Cylinder gaskets (23)
- 2x Cylinder head gaskets (19)
- 2x PTFE piston rings (52)
- 2x PTFE piston guide rings (37)
- 2x Valve plate gaskets (68)
- 2x O-ring (126)

## CLINIC 3 (CSK240)

84303

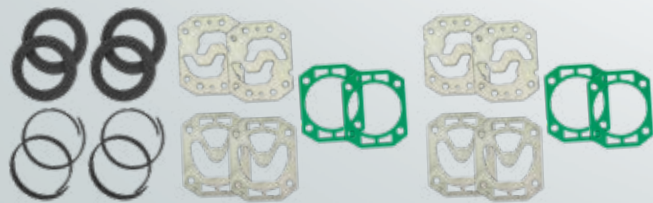
**NEW!**



- 2x Cylinder gaskets (23)
- 2x Cylinder head gaskets (19)
- 3x PTFE piston rings (52)
- 2x PTFE piston guide rings (486)
- 2x Valve plate gaskets (68)
- 2x O-ring (126)

## CLINIC 6 (ES480)

86201

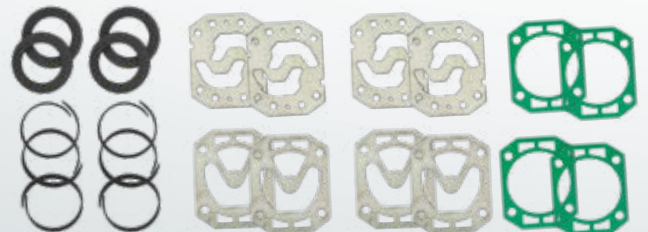


- 4x Cylinder gaskets (23)
- 4x Cylinder head gaskets (19)
- 4x PTFE piston rings (52)
- 4x PTFE piston guide rings (37)
- 4x Valve plate gaskets (68)
- 4x O-ring (126)

## CLINIC 6 (ESK480)

86203

**NEW!**



- 4x Cylinder gaskets (23)
- 4x Cylinder head gaskets (19)
- 4x PTFE piston rings (52)
- 6x PTFE piston guide rings (486)
- 2x Valve plate gaskets (68)
- 2x O-ring (126)

CLINIC 3/6 (CS240/ES480)

83212



- 1x Piston + Con-rod
- 2x Screws
- 2x O-ring
- 2x Piston Plate

CLINIC 3/6 (CSK240/ESK480)

83214

**NEW!**



- 1x Piston + Con-rod
- 2x Screws
- 2x O-ring
- 2x Piston Plate

CLINIC 3 (CS240)

83124



Eccentric shaft extractor AXXER

CLINIC 6 (ES480)

83123



Piston extractor AXXER



**WARRANTY**



**CLINIC 3 AND CLINIC 6: 3 years**  
**CLINIC 1: 2 years**  
**ANY OTHER PRODUCT: 1 years**

**Total quality and after sales service.**

*When we speak of quality, we mean quality that goes well beyond our unrivaled line of CLINIC AIR compressors that come out of the assembly line. Gentilin's quality is actually "total quality" that is included in everything that we do. Each function of our organization is quality-oriented, from research&development to sales administration and after sales service: that is, Gentilin total quality in comprised in every aspect of our life, from concept to delivery and more.*

# clinic air

*by Gentilin*

*Factory and Head Quarter:*  
Via delle Tezze, 20/22  
36070 Trissino (VI) ITALY

T +39 (0)445 962000

F +39 (0)445 491412

[info@gentilincompressors.com](mailto:info@gentilincompressors.com)

[www.clinicair.it](http://www.clinicair.it)